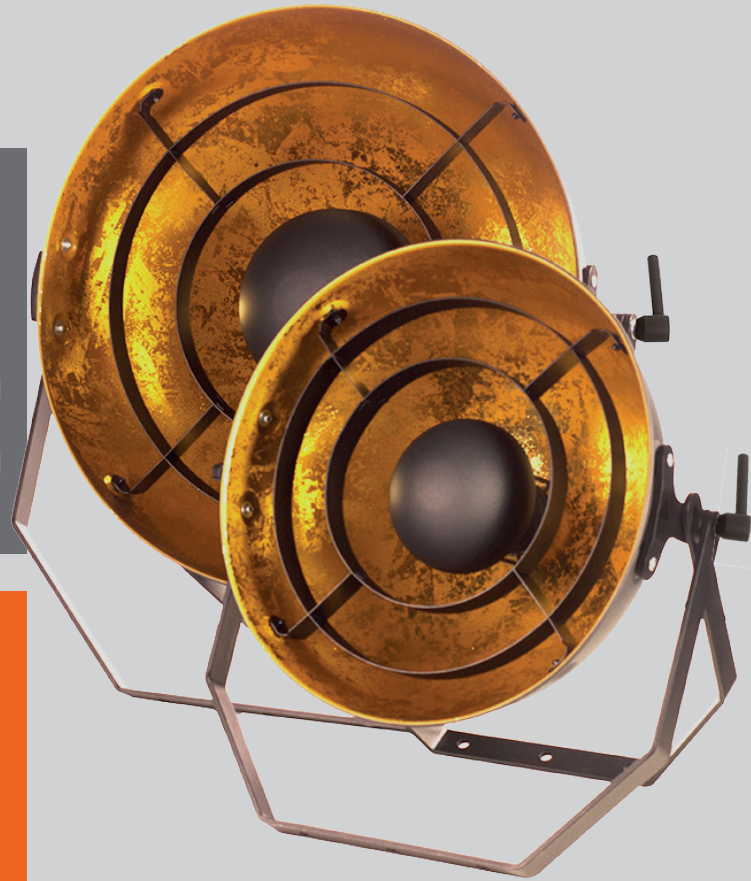
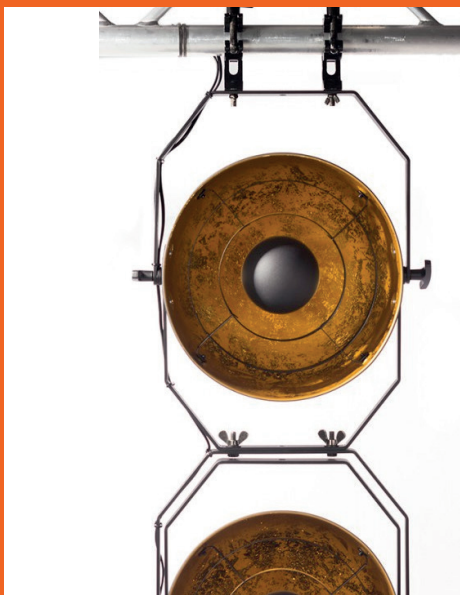




# VINTAGE LUMINAIRE

A fixture with a vintage look because retro chic is absolutely en vogue!

Use these decorative fixtures for you TV shows, theatre productions or for live bands to add visual impact to an area and create the right ambiance.



## KEY FEATURES

### TRUE IP65 In / Out

The Vintage fixture has a IP65 connection for professional use and is equipped with a Seetronic TRUE Power PRO connector.

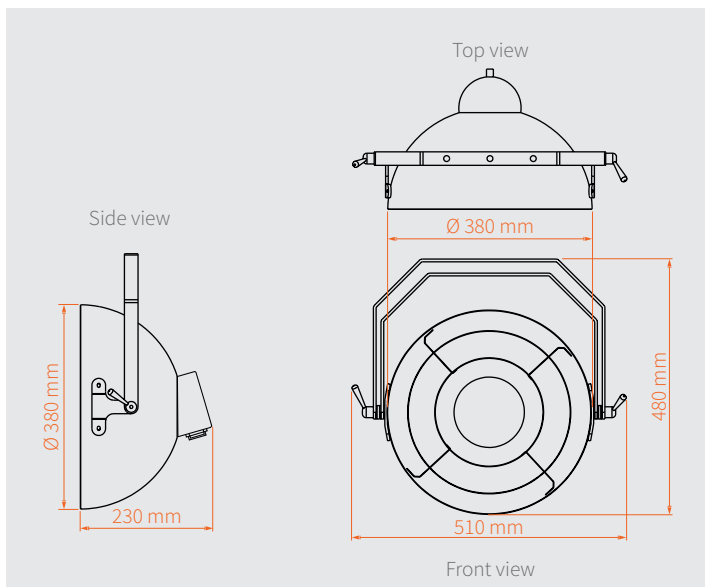
### Interlinkable

Create an impressive setup by interlinking several Vintage luminaires using the two sturdy brackets.

### Adjustable brackets

The brackets allow you to use the Vintage in multiple ways. You can hang it on a Drop arm, mount it on a tripod with one bracket, or place it on the floor with both brackets.

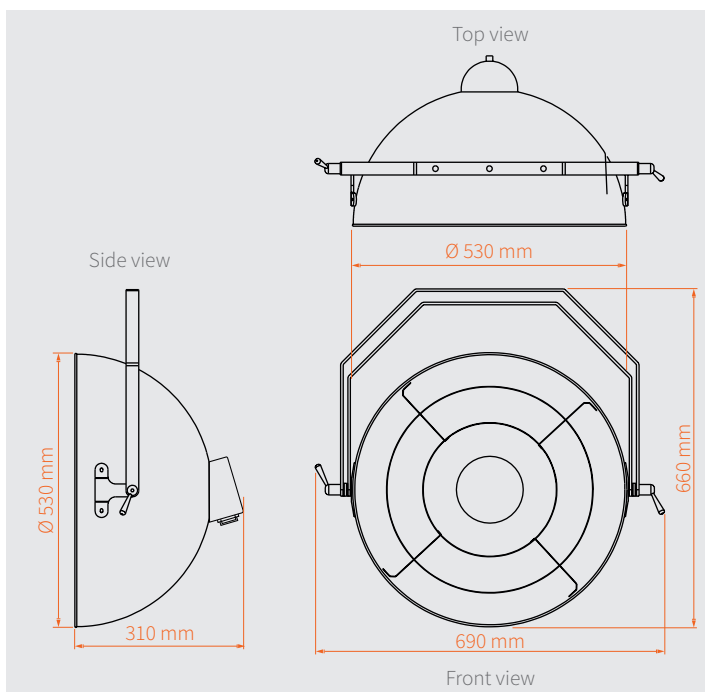
## DIMENSIONS



## TECHNICAL DATA

### Vintage luminaire 60W Ø38 ST PRO TRUE w connector

Article code:	ARADRED47
EAN:	8720094428222
Connection:	Seetronic TRUE power PRO IP65 in/out
Power consumption:	60W (bulb included)
Fitting:	E27
Material:	steel
Finish:	powder coated
Dimensions:	diameter globe: 380 mm 510 x 230 x 480 mm (L x W x H)
Weight:	4.15 kg



### Vintage luminaire 60W Ø53 ST PRO TRUE w connector

Article code:	ARADRED57
EAN:	8720094428239
Connection:	Seetronic TRUE power PRO IP65 in/out
Power consumption:	60W (bulb included)
Fitting:	E27
Material:	steel
Finish:	powder coated
Dimensions:	diameter globe: 530 mm 690 x 310 x 660 mm (L x W x H)
Weight:	6.05 kg

## Extend your Vintage luminaires with our Luminaire tripod

